

45000.10 Regressed Fixed Downlight

TECHNICAL DATA

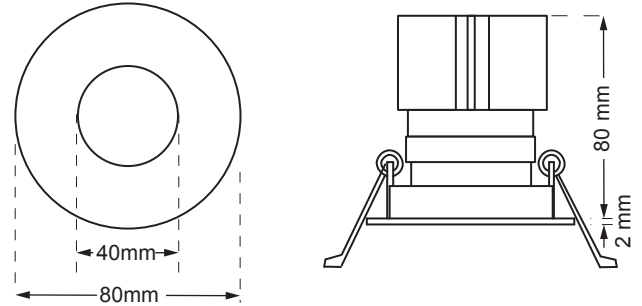


Luminaire: Illuminance: 390 Lux @ 2.7m
 Beam Angle: 36°
 Ingress Protection: IP65
 Bezel Finish: Matt White with Black Ribbed inner Baffle

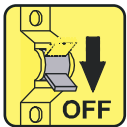
LED Driver: Input: 230Vac 0.050A 11W p.f. >0.9
 Output: 260mA 24-46Vdc
 Electrical Safety: Class II Pre-Wired Input Cable
 Mains Dimmable with Leading or Trailing Edge Dimmers

Light Engine: Luminous Flux: 720 Lumens
 Colour Temperature (CCT): 3000K (Warm White)
 Colour Consistency: 3-Step MacAdam Ellipse
 Colour Rendering (CRI): >90 Ra
 Efficacy: 65 Lumens per Circuit Watt
 Lumen Maintenance: L70 B50 >50,000Hrs

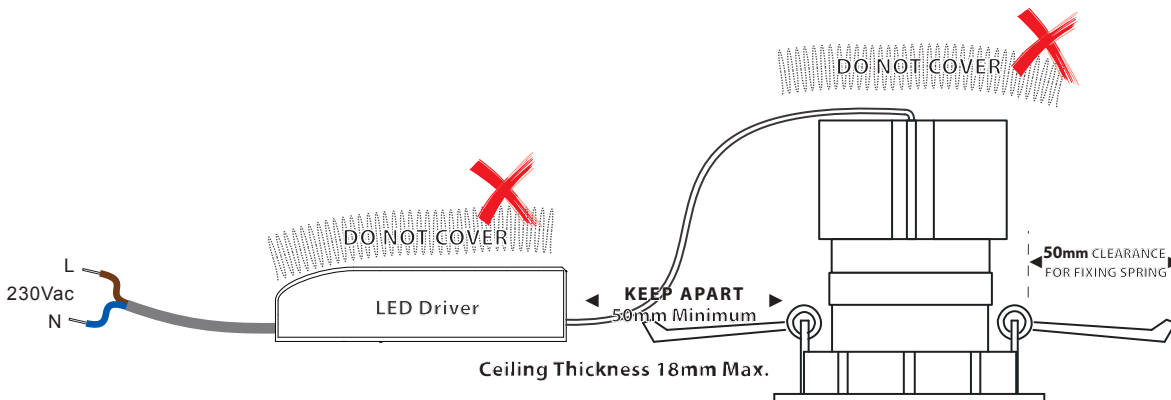
Miscellaneous Weight: 345g (Luminaire + LED Driver)



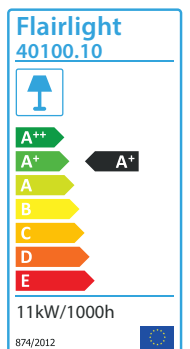
INSTALLATION



Isolate electrical supply before undertaking any electrical work.
 Installation must comply with the current wiring and building regulations.



Energy Efficiency Index



Drawing for illustrative purposes only, not an exact representation of the product.

Copyright © Flairlight Designs Ltd 2020 Flairlight reserve the right to change product design and/or specification without prior notice. E & OE Retain this document for future reference.

Do not disposed of these products with normal waste, use an authorised electrical recycling/disposal facility.

