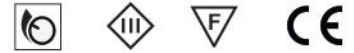


40125.00 Plaster-In Tilt, Rotate & Adj. Regress LED Downlight

(t) 01372 888 455 (e) sales@flairlight.co.uk (w) www.flairlight.co.uk

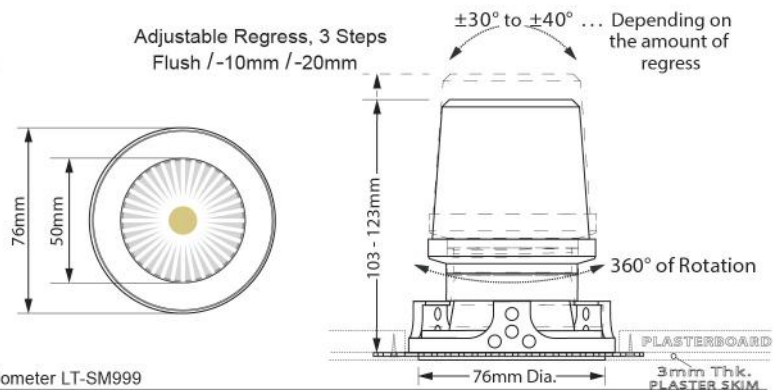
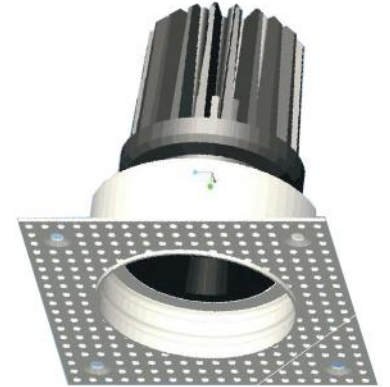
TECHNICAL DATA



Luminaire: Illuminance: 230 Lux @ 2.7m
 Ingress Protection: IP40
 Electrical Safety: Class III (S.E.L.V.)
 Material: Die-Cast Aluminium
 Finish: White Matt Regress Lining and Black Inner Baffle

Light Engine: 9W Cree 1512 XLamp COB LED Array
 Luminous Flux: 900 Lumens
 Colour Temperature (CCT): 3000K (Warm White)
 Colour Consistency: 2-Step MacAdam Ellipse
 Colour Rendering (CRI): >90 Ra Minimum
 Efficacy: 75 Lumens per Circuit Watt
 Beam Angle: 36°

LED Driver: (Included) Pre-Wired Input Cable and Push Fit Luminaire Connection
 Mains Dimmable with Leading or Trailing Edge Dimmer
 Other dimming options (DALI, DMX, 1-10V etc.) available.
 Input: 230Vac 0.056A 12W p.f. 0.9
 Output: 250mA 40Vdc Max. (S.E.L.V.)
 Electrical Safety: Class II (Double Insulated, No Earth)
Weight: 600g (incl. l.e.d. driver)



Designed in
 London by
 Flairlight

INSTALLATION INSTRUCTIONS



Isolate electrical supply before undertaking any electrical work.
 Installation must comply with the current wiring and building regulations.



Class III - Safety Extra Low Voltage (SELV)



Suitable for mounting on normally flammable surfaces (Luminaire and l.e.d. driver)

