

40122.10 High Output IP65 Spot Tilt Regressed LED Downlight

(t) 01372 888 455 (e) sales@flairlight.co.uk (w) www.flairlight.co.uk

TECHNICAL DATA



Luminaire: Illuminance: 290 Lux @ 2.7m
 Ingress Protection: IP65
 Material: Bezel; Die-Cast Aluminium, Lens; Glass
 Finish: Matt White Bezel with Clear Glass Lens and Black Inner Baffle

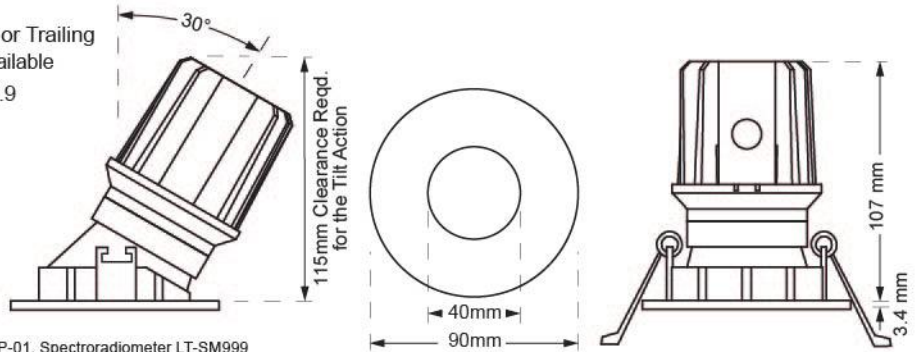
Light Engine: 15W Cree1512 COB LED
 Luminous Flux: 1160 Lumens
 Colour Temp. (CCT): 3000K (Warm White)
 Colour Consistency: 2-Step MacAdam Ellipse
 Colour Rendering (CRI): 90 Ra Minimum
 Efficacy: 72 Lm. per Circuit Watt
 Beam Angle: 36°



LED Driver: (Included) Pre-Wired, Mains Dimmable (Leading or Trailing Edge Type) * Other dimming options available
 Input: 230Vac 0.075A 16W p.f. 0.9
 Output: 350mA 40Vdc Max.
 Electrical Safety: Class III (SELV)

Weight: 410g (Incl. Driver)

Designed in London by Flairlight



Photometric measurements from Spectrometer ALP-01, Spectroradiometer LT-SM999

INSTALLATION INSTRUCTIONS



Isolate electrical supply before undertaking any electrical work.

Installation must comply with the current wiring and building regulations.



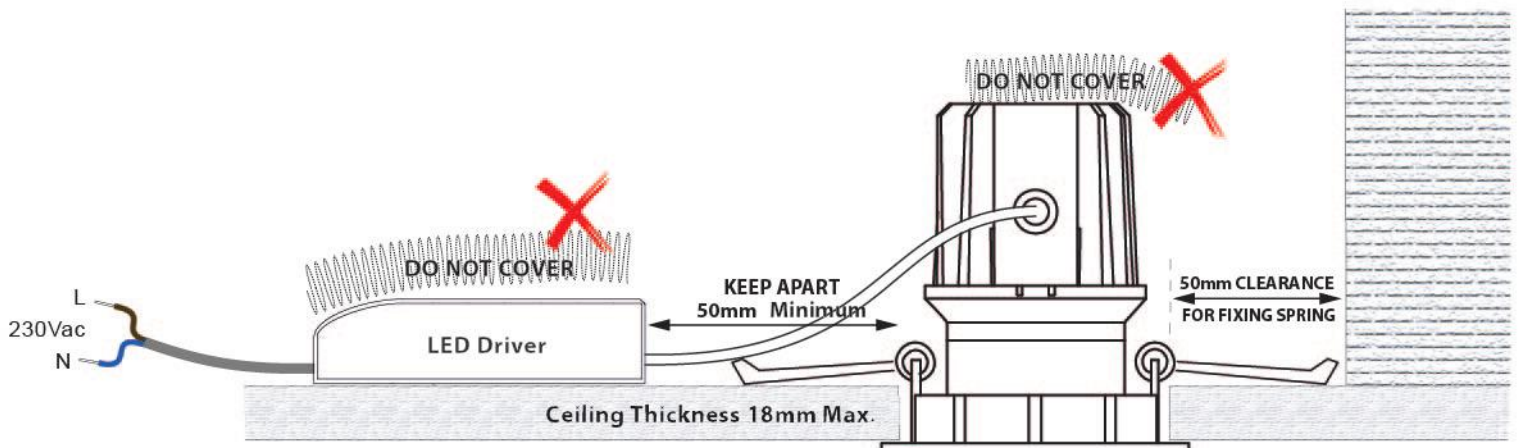
Hole Cut-Out
80mm Dia.



IP65 Protected against spraying water



Suitable for mounting on normally flammable surfaces



Although every effort is taken to ensure this data is correct and up to date, due to continual product development this data may have changed, check with Flairlight to ensure accuracy.

Retain this leaflet for future reference

Do not dispose of these products with normal waste, use an authorised electrical disposal/recycling facility.



Document Issue: B