

## TECHNICAL DATA



**Luminaire:** Illuminance: 220 Lux @ 2.7m  
 Ingress Protection: IP65  
 Material: Bezel; Die-Cast Aluminium, Lens; Glass  
 Finish: Matt White Bezel with Clear Glass Lens and Black Inner Baffle

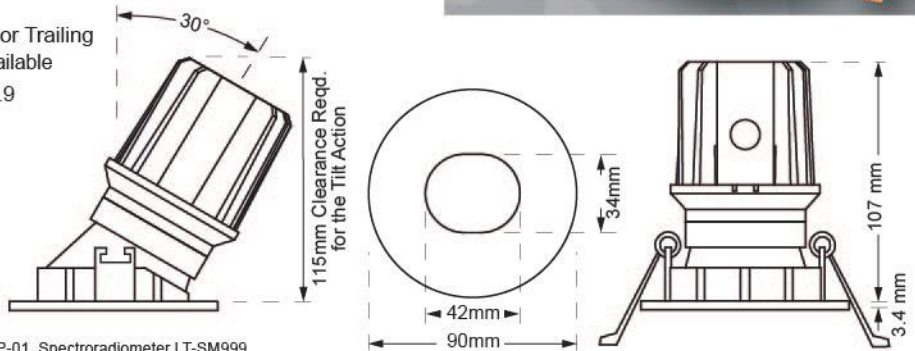
**Light Engine:** 12W Cree 1512 COB LED  
 Luminous Flux: 860 Lumens  
 Colour Temp. (CCT): 3000K (Warm White)  
 Colour Consistency: 2-Step MacAdam Ellipse  
 Colour Rendering (CRI): 90 Ra Minimum  
 Efficacy: 72 Lm. per Circuit Watt  
 Beam Angle: 36°



**LED Driver:** Pre-Wired, Mains Dimmable (Leading or Trailing Edge Type) \* Other dimming options available  
 (Included)  
 Input: 230Vac 0.055A 12W p.f. 0.9  
 Output: 250mA 40Vdc Max.  
 Electrical Safety: Class III (SELV)

**Weight:** 410g (Incl. Driver)

Designed in London by Flairlight



Photometric measurements from Spectrometer ALP-01, Spectroradiometer LT-SM999

## INSTALLATION INSTRUCTIONS



Isolate electrical supply before undertaking any electrical work.  
 Installation must comply with the current wiring and building regulations.



IP65 Protected against spraying water



Suitable for mounting on normally flammable surfaces

