

40120.10 IP65 Pin-Hole Spot Tilt Regressed LED Downlight

TECHNICAL DATA



Luminaire: Illuminance: 220 Lux @ 2.7m
 Ingress Protection: IP65
 Material: Bezel; Die-Cast Aluminium, Lens; Glass
 Finish: Matt White Bezel with Clear Glass Lens & Black Inner Baffle

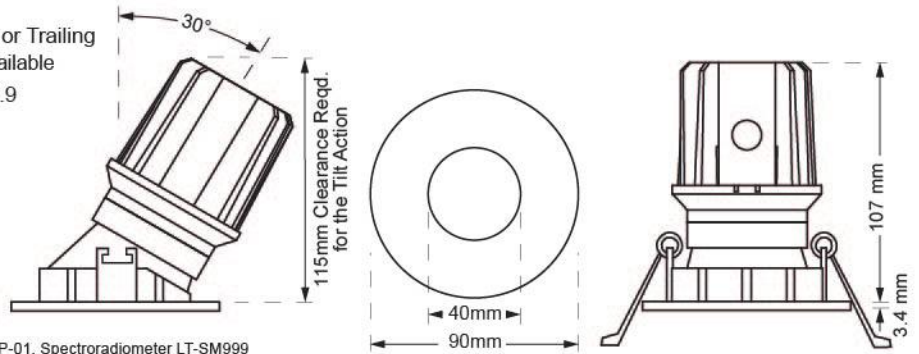
Light Engine: 9W Cree 1512 COB LED
 Luminous Flux: 860 Lumens
 Colour Temp. (CCT): 3000K (Warm White)
 Colour Consistency: 2-Step MacAdam Ellipse
 Colour Rendering (CRI): 90 Ra Minimum
 Efficacy: 72 Lm. per Circuit Watt
 Beam Angle: 36°



LED Driver: Pre-Wired, Mains Dimmable (Leading or Trailing Edge Type) * Other dimming options available
 (Included) Input: 230Vac 0.055A 12W p.f. 0.9
 Output: 250mA 40Vdc Max.
 Electrical Safety: Class III (SELV)

Weight: 410g (Incl. Driver)

Designed in London by Flairlight



Photometric measurements from Spectrometer ALP-01, Spectroradiometer LT-SM999

INSTALLATION INSTRUCTIONS



Isolate electrical supply before undertaking any electrical work.

Installation must comply with the current wiring and building regulations.



IP65 Protected against spraying water



Suitable for mounting on normally flammable surfaces



Hole Cut-Out
80mm Dia.

