

Article no.: 843521

Ground- / Wall- / Ceiling lamp, RF-smart, Spot, 230V, 25W, RGB+CCT, IP65, Anthracite, 100-240 V/AC 50 / 60 Hz, RGB/warm white/cold white

Technical Data

General Characteristics

Material	Die-cast aluminium;Plastic
Colour	Anthracite
Optics	
included in delivery	



Electrical Characteristics

Power	25,0 W
Input voltage	100-240 V/AC 50 / 60 Hz
Input current	
Base (standard designation)	
Primary connection cable	1,5 m
Controll	RF-smart, ZigBee
Connection possibility	Power plug IP44
Protection class I, II, III	I

Light Technical Data

Bulb	LED
Colour Designation	RGB/warm white/cold white
Colour temperature	2700-6500 K
Luminous flux	1700 lm
Beam angle	15 Grad
LED type	SMD
LED quantity	
Spectral power distribution	

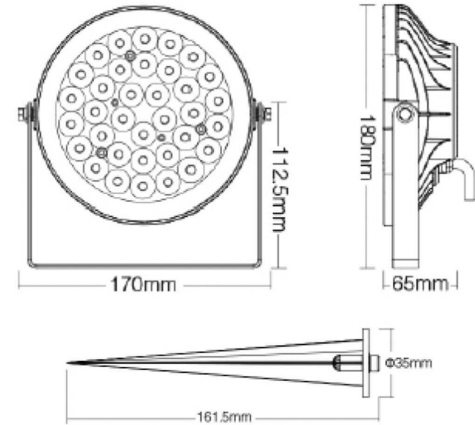


Article no.: 843521

Ground- / Wall- / Ceiling lamp, RF-smart, Spot, 230V, 25W, RGB+CCT, IP65, Anthracite, 100-240 V/AC 50 / 60 Hz, RGB/warm white/cold white

Light Direction

Rotating and tilting range	Swiveling
Angle of inclination	355 Degree
Radiation direction	Vorne
Reflector / lense	



Dimensions & Weight

Length	170,00
Width	65,00
Height	180,00
Diameter	0,00
Mounting Depth	0,00
Product Weight	1115 g

Cut-out dimensions

Length	0,00
Width	0,00
Diameter	0,00

Mounting Bowl

Material	
Length	0,00
Width	0,00
Height	0,00
Diameter	0,00

Article no.: 843521

Ground- / Wall- / Ceiling lamp, RF-smart, Spot, 230V, 25W, RGB+CCT, IP65, Anthracite, 100-240 V/AC 50 / 60 Hz, RGB/warm white/cold white

Absolute maximum ratings

The LED will get damaged and the lifetime will decrease when you overrun absolute maximum ratings.

Working temperature	-20 bis 45 °C
Storage temperature	-30 bis 70 °C
IP - Code	IP65/IP44

General product data**Environmental Characteristics**

Energy label	F
Energy consumption	25 kWh/1000h

Lifespan

Rated Life Time L70 / B50	50000 h
Luminous flux (end of lifetime)	0,7
Number of switching cycles	100000

Lightings of Protection Class I

in which the protection against electric shock is not based solely on isolation, but an additional safety measure contains such a way that accessible conductive parts are equipped with means for connection to the protective conductor of the fixed installation, so that in case of failure of the basic insulation exposed conductive parts cannot be active.



Because of the complex manufacturing process of the LED the above shown data are just a statistical size, which is not forced to be the realistic data of every LED.